



**TC12-BK** \$ 475.00  
**TC12FF-BK** 596.00

- Open-Shelf Cart
- 32"W x 42"H x 24"D
- Pull-Out Shelves slide out on both sides
- FF Model includes the CFPS 4-outlet Electrical Assembly



**TC12FC-BK** \$ 805.00  
**TC12FCFF-BK** 926.00

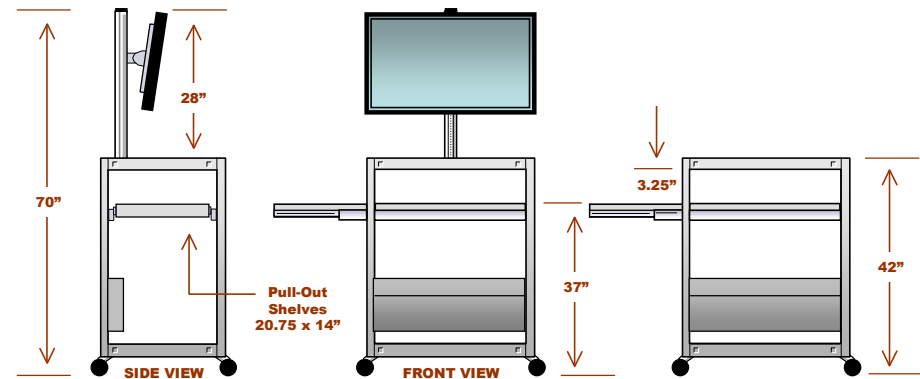
- Open-Shelf Cart
- 32"W x 42"H x 24"D
- Comes with the Flat Panel Pole and the 200mm Mounting Bracket
- Pull-Out Shelves slide out on both sides
- Total height including pole = 70" @ highest point
- Pole is 28" tall
- FF Model includes the CFPS 4-outlet Electrical Assembly

## TC12 Series

- With or without the Flat Panel Support
- Flat Panel supports up to 42" Diagonal Monitor (maximum 90 pounds), with a 200mm VESA Hole Pattern
- Two Pull-Out Shelves, one on each side
- One pull-out for the Laptop Computer
- One pull-out for the Document Camera
- Open-Shelf design for easy access to storage & transport
- 4" Casters
- With or without 4-outlet Electrical Unit
- Black finish - Easy assembly



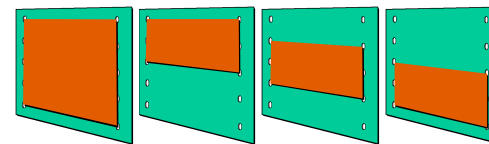
TC12FCFF-BK shown with optional FPPSP31 Speaker Bar



# TC12

**TECHNOLOGY CARTS**  
**32"W x 24"D**

200mm VESA Compliant Mounting Plate works on monitors with 200 x 200mm or 200 x 100mm VESA Mounting Hole Patterns.



**B** BRET FORD



**TC15-BK** \$ 889.00  
**TC15FF-BK** 1,010.00

- Cabinet Cart
- 32"W x 42"H x 24"D
- Pull-Out Shelves slide out on both sides
- FF Model includes the CFPS 4-outlet Electrical Assembly



19" Interior Rack Mount for standardized equipment access. Comes equipped with two shelves.

# TC15

**TECHNOLOGY CARTS**  
**32"W x 24"D**



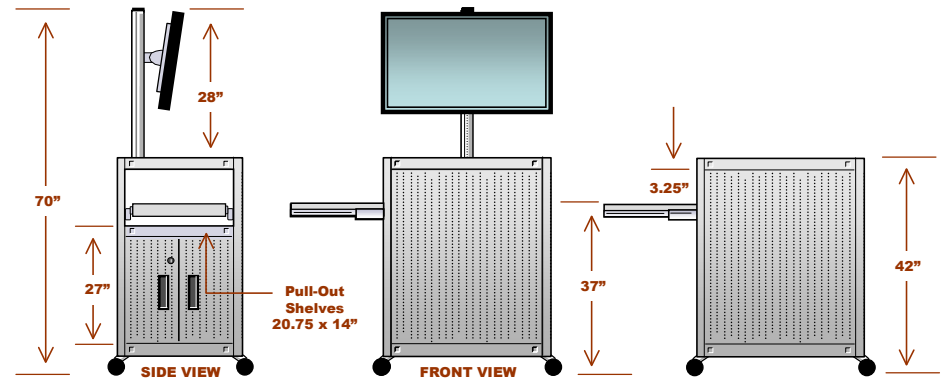
TC15FC-BK shown with optional FPPSP31 Speaker Bar

**TC15FC-BK** \$ 1,249.00  
**TC15FCFF-BK** 1,370.00

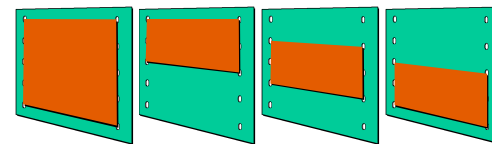
- Cabinet Cart
- 32"W x 42"H x 24"D
- Comes with the Flat Panel Pole and the 200mm Mounting Bracket
- Pull-Out Shelves slide out on both sides
- Total height including pole = 70" @ highest point
- Pole is 28" tall
- FF Model includes the CFPS 4-outlet Electrical Assembly

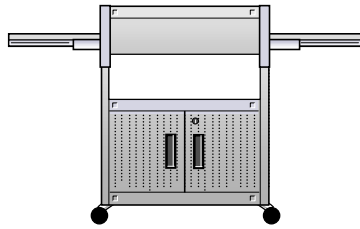
## TC15 Series

- With or without the Flat Panel Support
- Flat Panel supports up to 42" Diagonal Monitor (maximum 90 pounds), with a 200mm VESA Hole Pattern
- Two Pull-Out Shelves, one on each side
- One pull-out for the Laptop Computer
- One pull-out for the Document Camera
- Cabinet design provides security for storage & transport
- 19" Rack Mount inside cabinet
- Locking doors on both sides allow easy access for cabling and wiring
- 4" Casters
- With or without 4-outlet Electrical Unit
- Black finish - Easy assembly



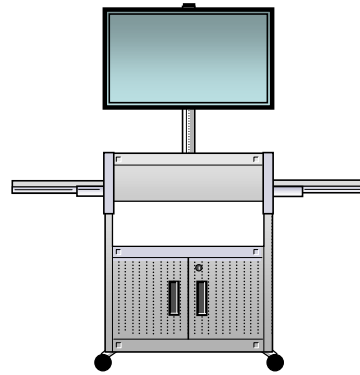
200mm VESA Compliant Mounting Plate works on monitors with 200 x 200mm or 200 x 100mm VESA Mounting Hole Patterns.





**TC35-BK**                    **\$ 789.00**  
**TC35FF-BK**                    **910.00**

- Cabinet Cart
- 32"W x 31" to 39"H x 24"D
- Pull-Out Shelves slide out on both sides
- FF Model includes the CFPS 4-outlet Electrical Assembly



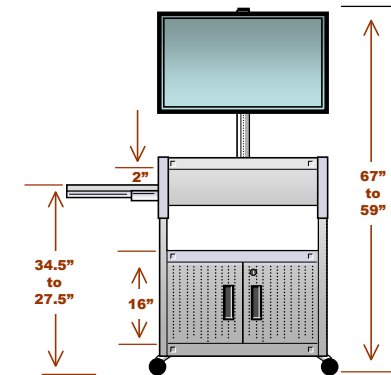
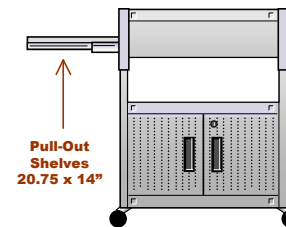
**TC35FC-BK**                    **\$ 901.00**  
**TC35FCFF-BK**                    **1,022.00**

- Cabinet Cart
- 32"W x 31" to 39"H x 24"D
- Comes with the Flat Panel Pole and the 200mm Mounting Bracket
- Pull-Out Shelves slide out on both sides
- Total height including pole = 67" @ highest point
- Pole is 28" tall
- FF Model includes the CFPS 4-outlet Electrical Assembly

## TC35 Series

- With or without the Flat Panel Support
- Flat Panel supports up to 42" Diagonal Monitor (maximum 90 pounds), with a 200mm VESA Hole Pattern
- Height Adjustable Top Shelf from 31" to 39"
- Height Adjustable Pull-Out Shelves from 27.5" to 34.5"
- Two Pull-Out Shelves, one on each side
- One pull-out for the Laptop Computer
- One pull-out for the Document Camera
- Cabinet design provides security for storage & transport
- 4" Casters
- With or without 4-outlet Electrical Unit
- Black finish - Easy assembly

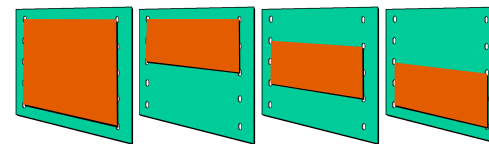
Based on the existing ECILS3-BK – slide-out shelves to the sides instead of the front.



# TC35

**TECHNOLOGY CARTS**  
**32"W x 24"D**

200mm VESA Compliant Mounting Plate works on monitors with 200 x 200mm or 200 x 100mm VESA Mounting Hole Patterns.



 **BRETFORD**